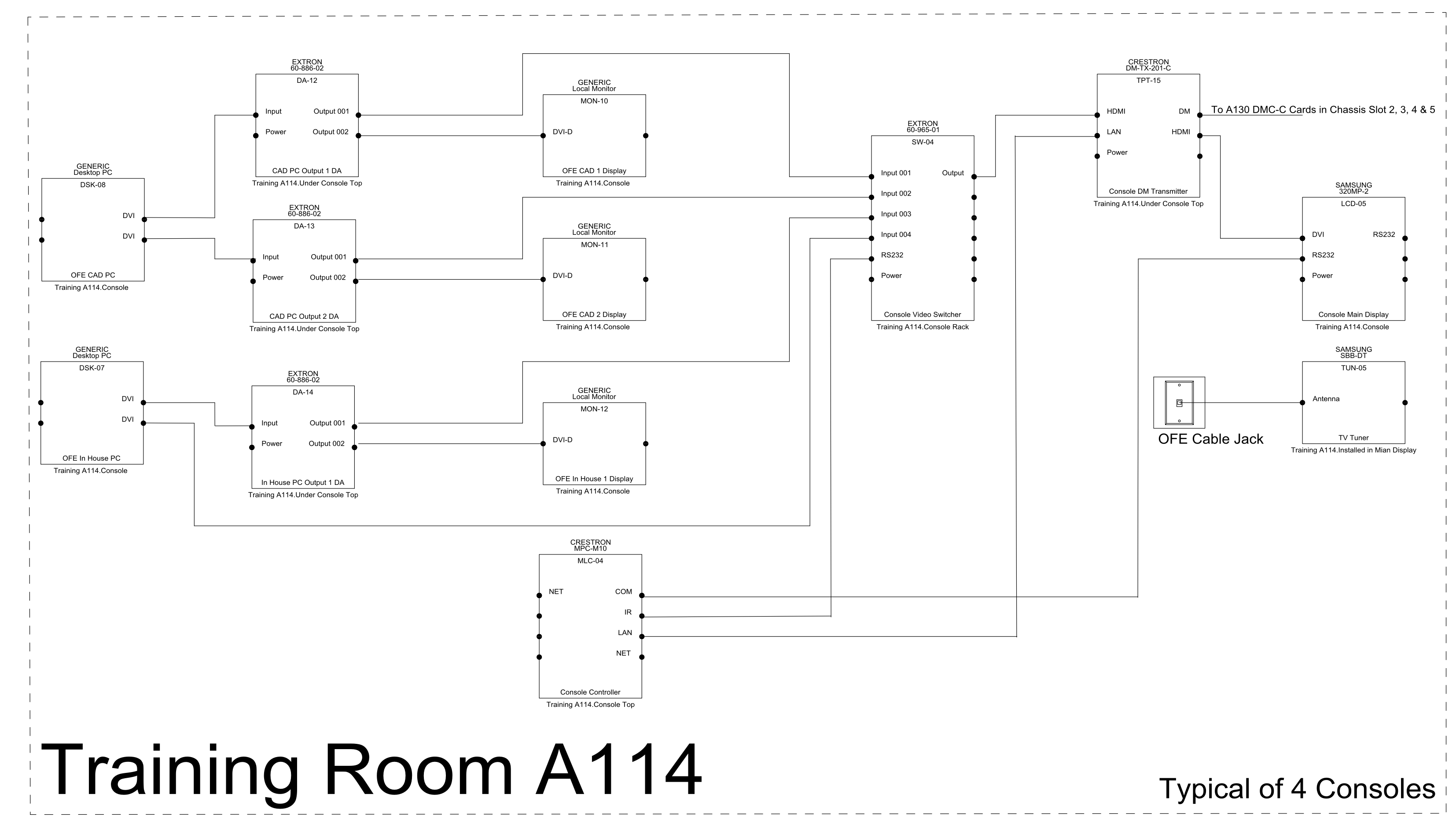


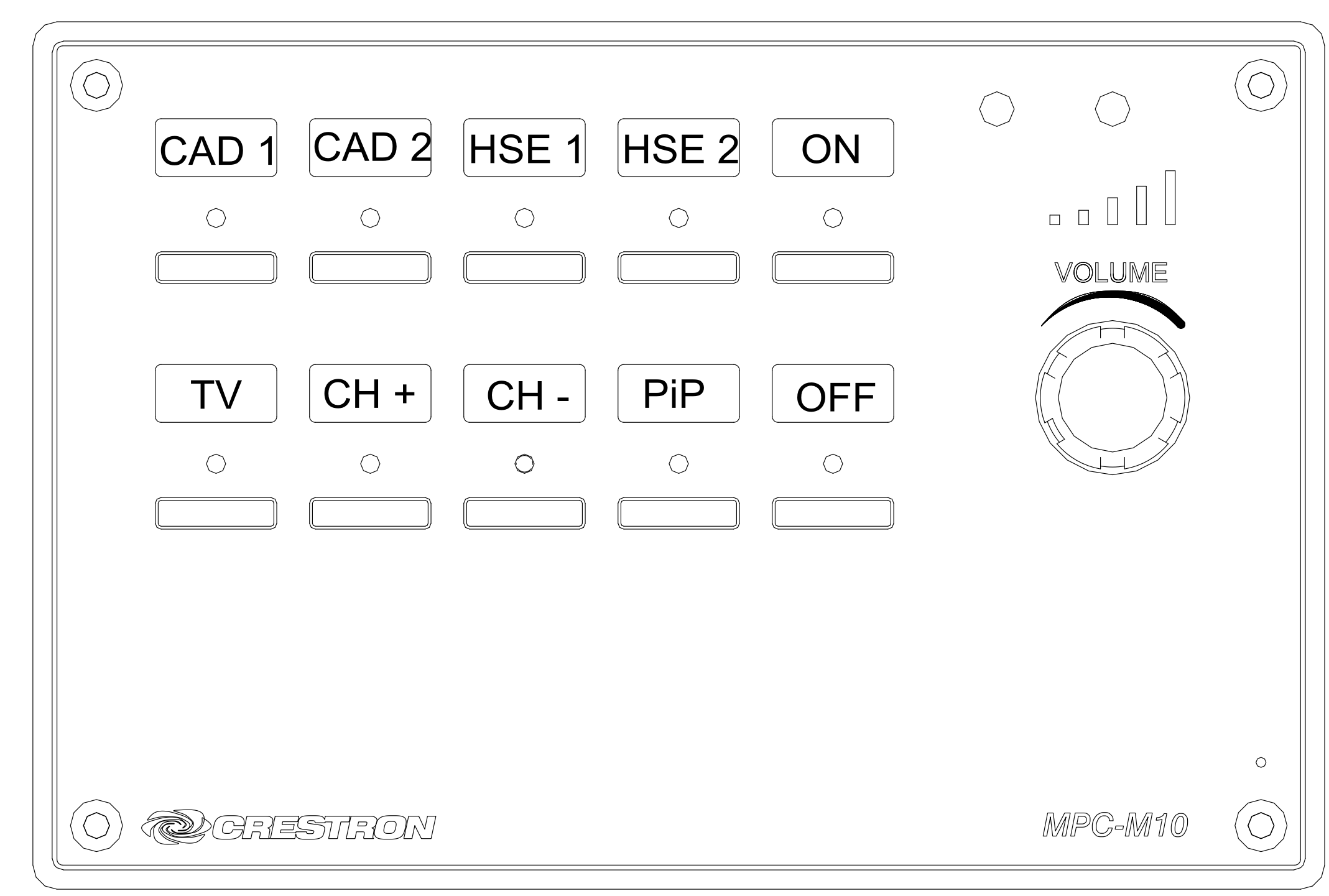
Dispatch Room A136

Typical of 19 Consoles



Training Room A114

Typical of 4 Consoles



DRAWING NUMBER/DOCUMENT ID	
DESIGNED / DRAWN	Nathan Reasner
VERIFIED	
DIRECTOR	

Scott County, Iowa
 600 West Fourth Street Davenport, IA 52801
 Telephone (563) 326-8228 Fax (563) 328-245

FILE NUMBER
 APPROVED APPROVED

TITLE:
 Dispatch (A136) & Training (A114)

DRAWING NUMBER
AV1.01

SCALE
 MICROFILM DATE
 A 1
 AMENDMENT
1